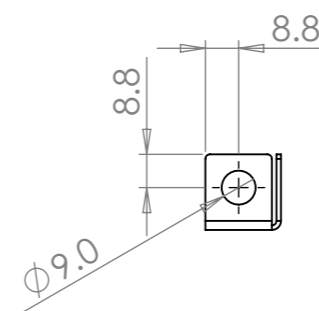
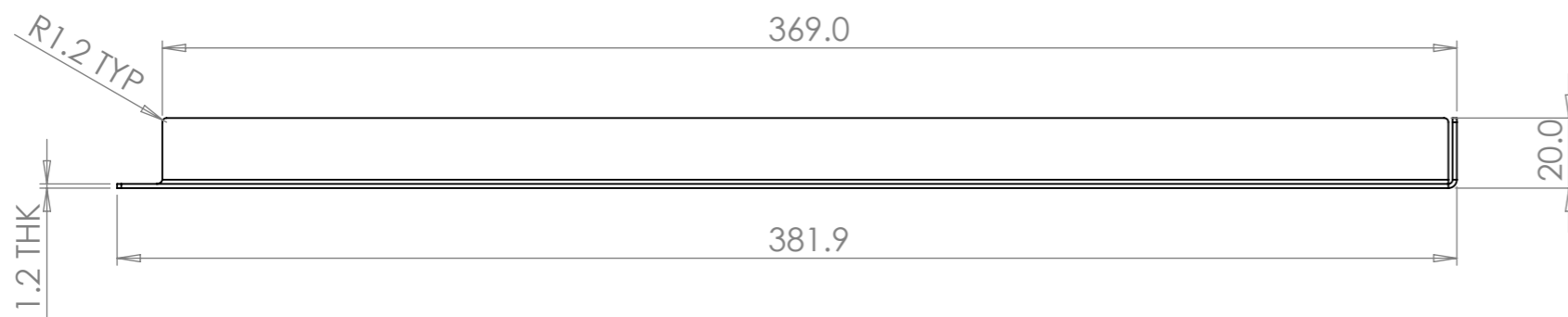
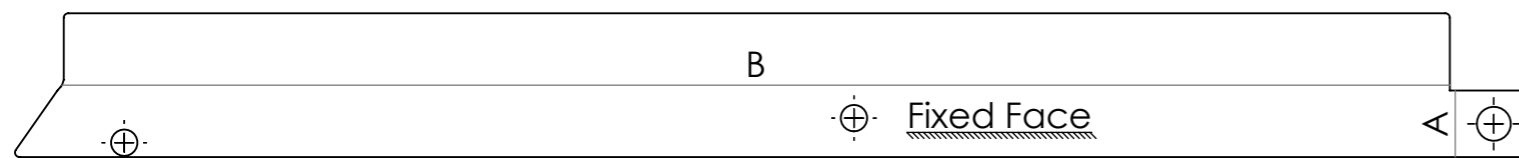


ISO VIEW 1:2




Tag	Direction	Angle	Inner Radius
A	UP	90°	1.2
B	UP	90°	1.2



FLAT PATTERN 1:2

A	04/03/2025	DJB			
REV	MODIFICATION	DATE	DR'N	CH'D	AP'D


Daniel-Barker.com

GENERAL DIMENSIONAL TOLS.
 X±0.5 X.X±0.25 X.XX±0.1
 ANGULAR DIMENSION ±1.0°
 UNLESS OTHERWISE STATED
 MACHINING SHOWN THUS
 REMOVE ALL BURRS & SHARP EDGES

MATERIAL 1.2mm MILD STEEL
 FINISH PAINTED

TITLE
 TABLE TOP SUPPORT LEFT

SIZE	SCALE	SHT	PART NUMBER
A3	1:2	1 OF 1	prd-DJB-00000614